

SHEET NO : 03

ALL DIMENSIONS ARE IN CMS
DO NOT MEASURE THIS DRAWING

CLIENT: UNITED INDIA INSURANCE
DIVISIONAL OFFICE:-PITHANAMTHITTA

APPD. BY : A. DEY DATE :09-03-2018 REV. NO. :0

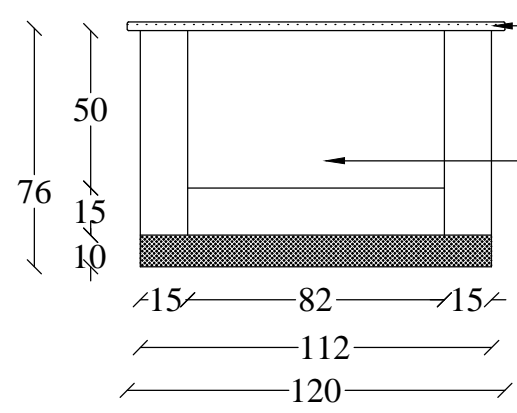
DRAWN BY : JKC NOTATION :

SCALE :SCALE TO FIT REF. :
FURNITURE LAYOUT

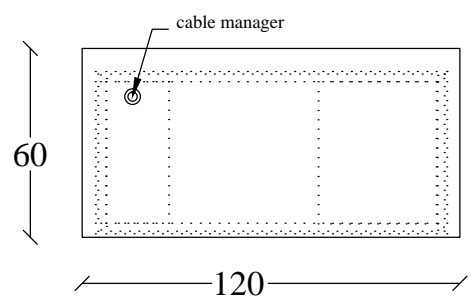
DELRH KOLKATA MUMBAI KOCHI

DEAROH ARCHITECTS PRIVATE LIMITED
XX-1 X/61/8 A, Purna house, ravipuram, kochi - 682035
PHONE :+91 4842 238949
TELEFAX :+91 4842 238949
Email: dearoharchi@rediffmail.com

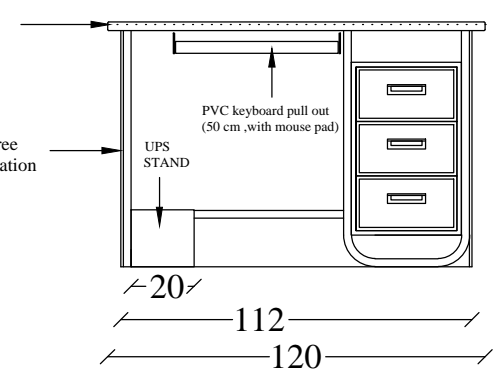
This is the property of DEAROH ARCHITECTS PRIVATE LTD and should be returned after execution. This must not be used by anyone without permission. Any queries in the drawing should be clarified prior to execution.



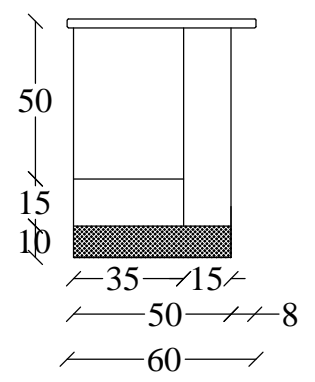
ELEVATION



PLAN



REAR ELEVATION



SIDE ELEVATION

	NEW MIKA AMPLE MAPLE -3056
	NEW MIKA SAPLE EXOTIC-3355

NOTE:- (The necessary repairs for the Drw set. Like fixing lock & handle etc. The inside of the tables & drawset painted with 2 coats of Enamel paint of approved colour . Also provide 20 cm wide CPU stand with 19 mm plywood edges finished with putty & paint .)

OFFICER'S TABLE (Existing table modification)